

Thank you for purchasing the **SmartStopStart Auto-Stop Disable Module!**
We are confident that you will be pleased with it.

Please read this important information and keep this document with your vehicle owner's manual.

Easy Installation Instructions

1. Open the hood: Make sure your vehicle is turned off, in PARK and the doors are unlocked. Pull the hood release lever on the lower left side of the instrument panel.

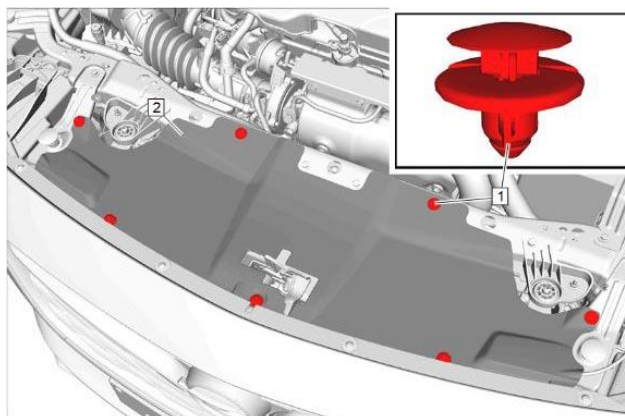


Then, from the front of the vehicle, find the secondary hood release handle. The handle is under the front edge of the hood near the center. Push the handle to the right and raise the hood.



2. Remove the front cover over the radiator and hood latch. To remove the front cover, the plastic fasteners must be removed as shown to the right. The number of fasteners and placement may vary slightly between vehicles.

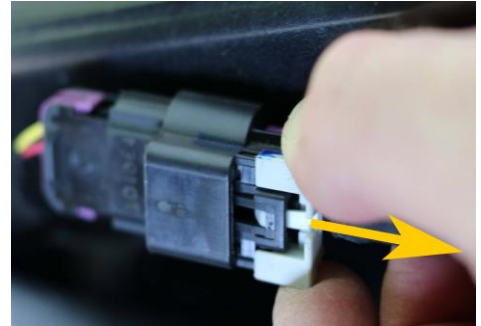
A thin flat-blade screwdriver can be used to pry the center portion of the rivets up. Then each rivet simply lifts out. The fasteners can be reused.



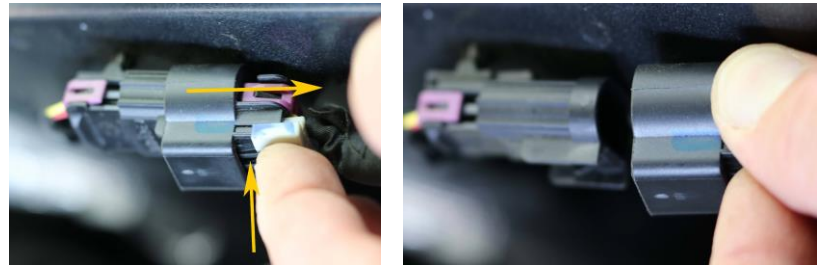
3. Locate the black, purple and grey plastic connector above the radiator and behind the front ledge that connects to the hood latch. The exact positioning of this connector may vary from the photo.



4. Slide the gray plastic locking piece on the connector about 1/8" (3 mm) away from the connector body until it stops. (Some vehicles may not have the gray locking piece, in that case skip to step 4).

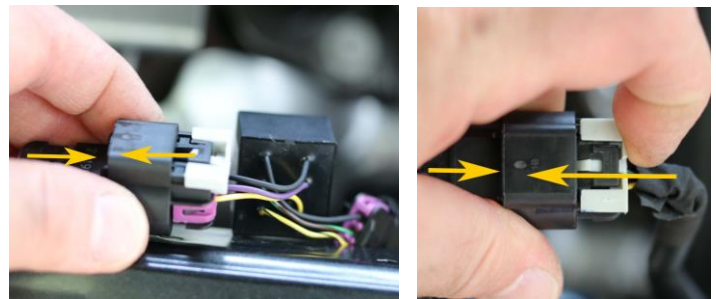


5. Depress the black plastic lever in the center between the gray arms FIRMLY with while pulling the connector shells apart. The connector halves will separate.



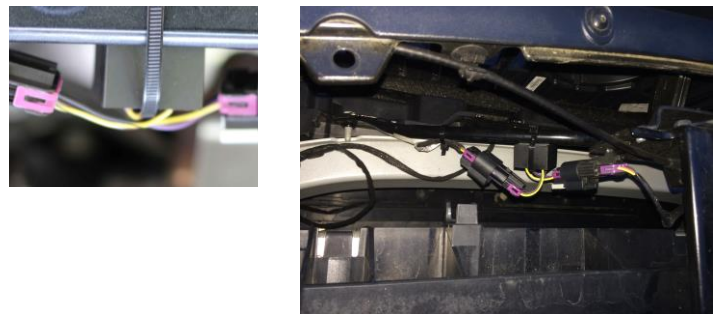
6. Plug the module in between the two separated connector halves in the vehicle.

Push each connector pair firmly together until they engage with a click. Then slide both grey locking pieces on the connectors left into the locked position. The wires on each side of the module should be crisscrossed as shown.



7. The module can be tie-wrapped to a nearby plastic pipe as shown with a long tie-wrap provided. The tie-wrap excess can be trimmed and then the plastic cover and rivets can be replaced.

Run the wire tie in the space between the crisscrossed wires on module.



8. Any excess wiring slack can be taken up with a small cable tie provided.



9. Replace the plastic cover and fasteners and then close the hood.

10. All done! Auto-stop is now disabled the next time you start the vehicle. The module does not affect normal operation of the vehicle when started using the Ignition button, except that it will prevent the Auto-Stop feature from engaging.

If your car has the **Remote Start** option and you use it, you must read the next section for changes in operation when using the **Remote Start** feature.

Important Instructions for vehicles with the Remote Start Option

(If you do not have or do not ever use the Remote Start feature, this section can be skipped).

If your vehicle has the Remote Start option (either from the key fob or from the *MyBuick* mobile App) there are **three** changes in operation of Remote Start that you should know and understand with the Auto-Stop Override installed. For most owners, these changes will be easy to adapt to.

1. **Remote Start will only now work when the car is 'sleeping':** Typically the vehicle 'goes to sleep' 10 to 20 minutes after the ignition is shut off, or the car is locked or the door is shut without locking the car. This means that you need to wait at least that amount of time after the last drive. If you do not wait for the car to sleep, Remote Start will not work and might also set off the security alarm (pressing LOCK or UNLOCK will cancel the alarm). Manually start the car instead if you have not waited enough time between drives for the car to sleep.
2. **Remote Start Fast button press sequence is now required:** When initiating Remote Start with the key fob, after you **QUICKLY** depress the key fob LOCK button you must begin pressing the Remote Start button **IMMEDIATELY** (and hold it for at least 4 seconds as usual). If you hold the LOCK button too long, or do not press these buttons in very quick succession the Remote Start may fail and it might also set off the security alarm (pressing LOCK or UNLOCK will cancel the alarm). If the Remote Start fails, do not attempt it again for 20 minutes since it will not work. Manually start the car instead for this drive.
3. **After remote start, manually cycle Ignition off and on to activate Auto-Stop Override:** When you enter the vehicle after Remote Starting, you still first press the ignition button as you did before. **Then YOU ALSO SHOULD CYCLE the ignition OFF and then ON AGAIN manually one time. THIS MUST BE DONE FOR THE AUTO-STOP OVERRIDE MODULE TO ACTIVATE AFTER A REMOTE START,** otherwise Auto-Stops will not be overridden during this drive.

Removing the module

If you ever want to restore the Auto-Stop feature, simply remove the module and plug the original connectors back together. We suggest that you remove the module and reconnect the original connectors prior to bringing the vehicle in for service. This will avoid potentially confusing the service technician.

(Per the Magnusson-Moss Warranty Act in the US, a manufacturer or dealer can only deny a warranty claim when an aftermarket component is installed if the dealer or manufacturer can prove that the aftermarket component caused the fault in question.)

Spare tie-wraps have been included to make it easy to re-install the module in a couple of minutes or so.

Questions? Contact: steve@smartSTOPstart.com